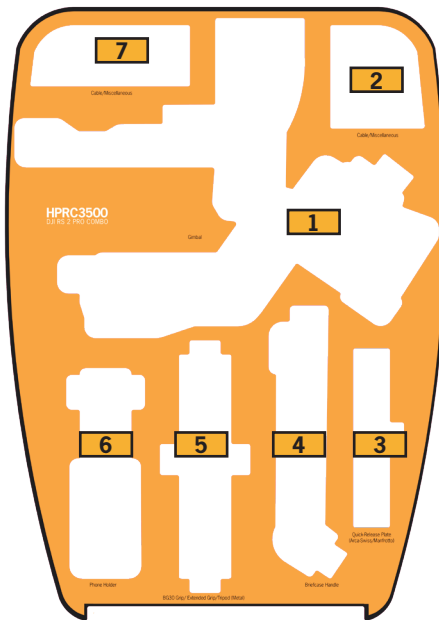


HPRC3500 for DJI RS 2 Pro Combo

RS2-3500-01



- 1** Gimbal
- 2** Cable/Miscellaneous
- 3** Quick-Release Plate (Arca-Swiss/Manfrotto)
- 4** Briefcase Handle
- 5** BG30 Grip/ Extended Grip/Tripod (Metal)
- 6** Phone Holder
- 7** Cable/Miscellaneous

TECHNICAL FEATURES

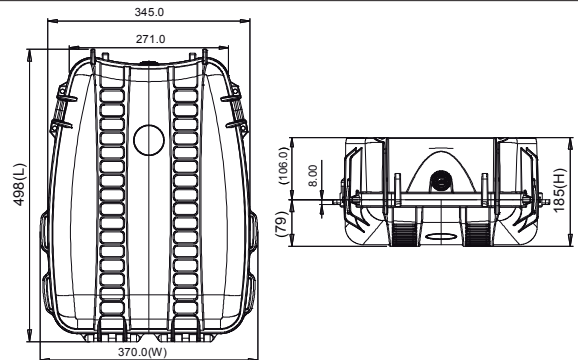
Dimension:
 internal dimension
 433x319x169(mm) - 17.05x12.56x6.65(in)
 external dimension
 498x370x185(mm) - 19.61x14.57x7.28(in)

Weight:
 3,55kg - 7.82lbs

Temperature rating:
 Minimum Maximum
 -40°C -40°F +80°C +176°F



TECHNICAL DRAWING



READY

www.hprc.it
info@hprc.it

Plaber s.r.l. - HPRC cases
 Via Div. Tridentina, 10
 I-36061 Bassano del Grappa
 Vicenza - Italy
 Tel +39 0424 809150

USA office and warehouse:
 HPRC USA
 110 Chestnut Ridge Rd. #314
 Montvale, NJ 07645
 Phone +1(201) 989-3353



APPROVALS
 ATA 300
 IP67
 STANAG 4280
 DS 81-41

TEST
 DROP
 IMPACT
 HANDLE
 WATERTIGHT INTEGRITY
 UV COLOR AND MATERIAL
 PROTECTION

